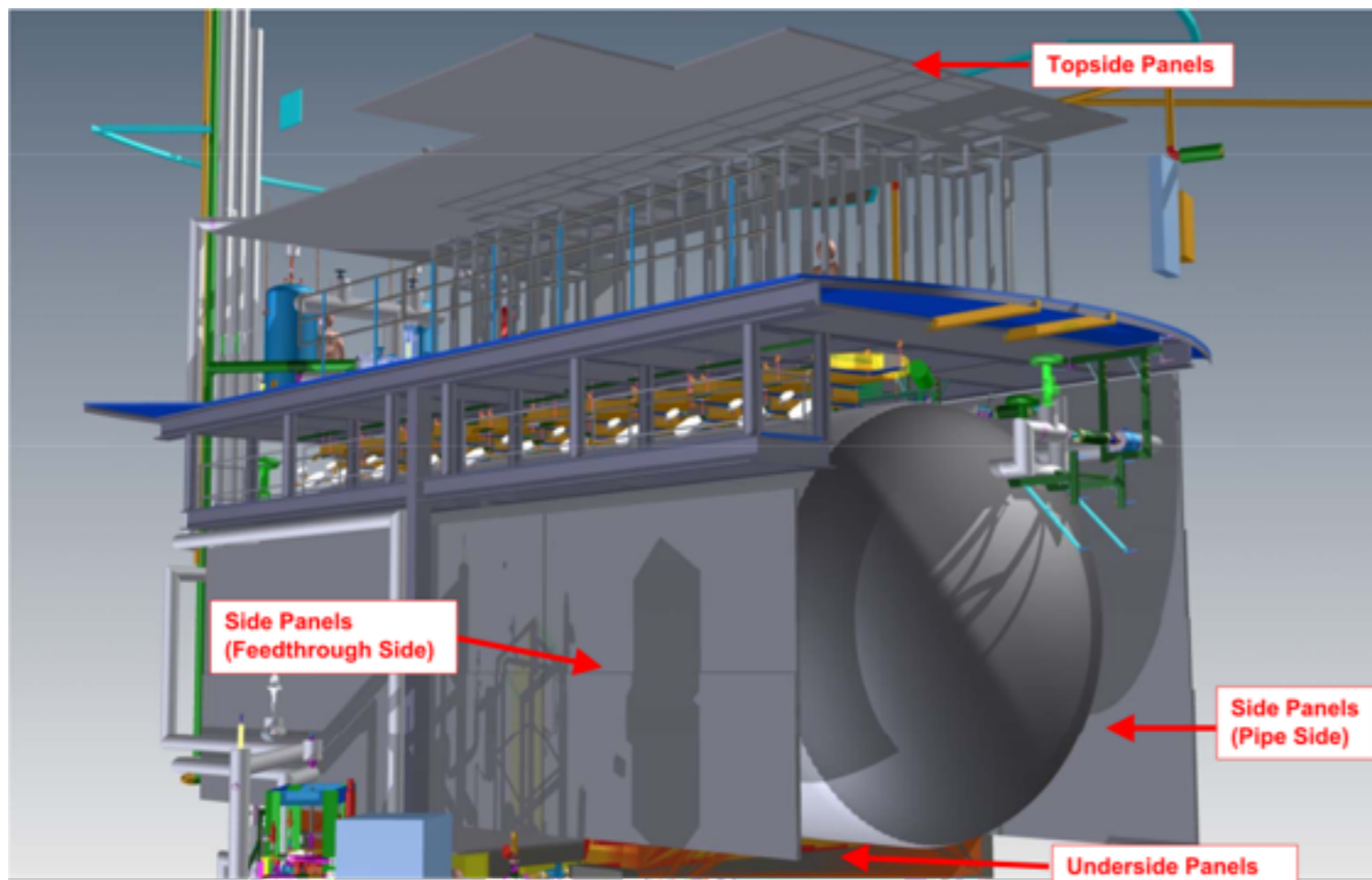


# CRT Power Distribution

## 22-August-2016

David Lorca

# MicroBooNE Cosmic Ray Tagger System



- 4 planes
- 1 plane = many modules
- 1 module = 16 scintillating strips (32 SiPMs)
- 1 Front End Electronic Board (FEB) / Module

CRT Installation Review - May 6 2016 - docDB 5763-v2

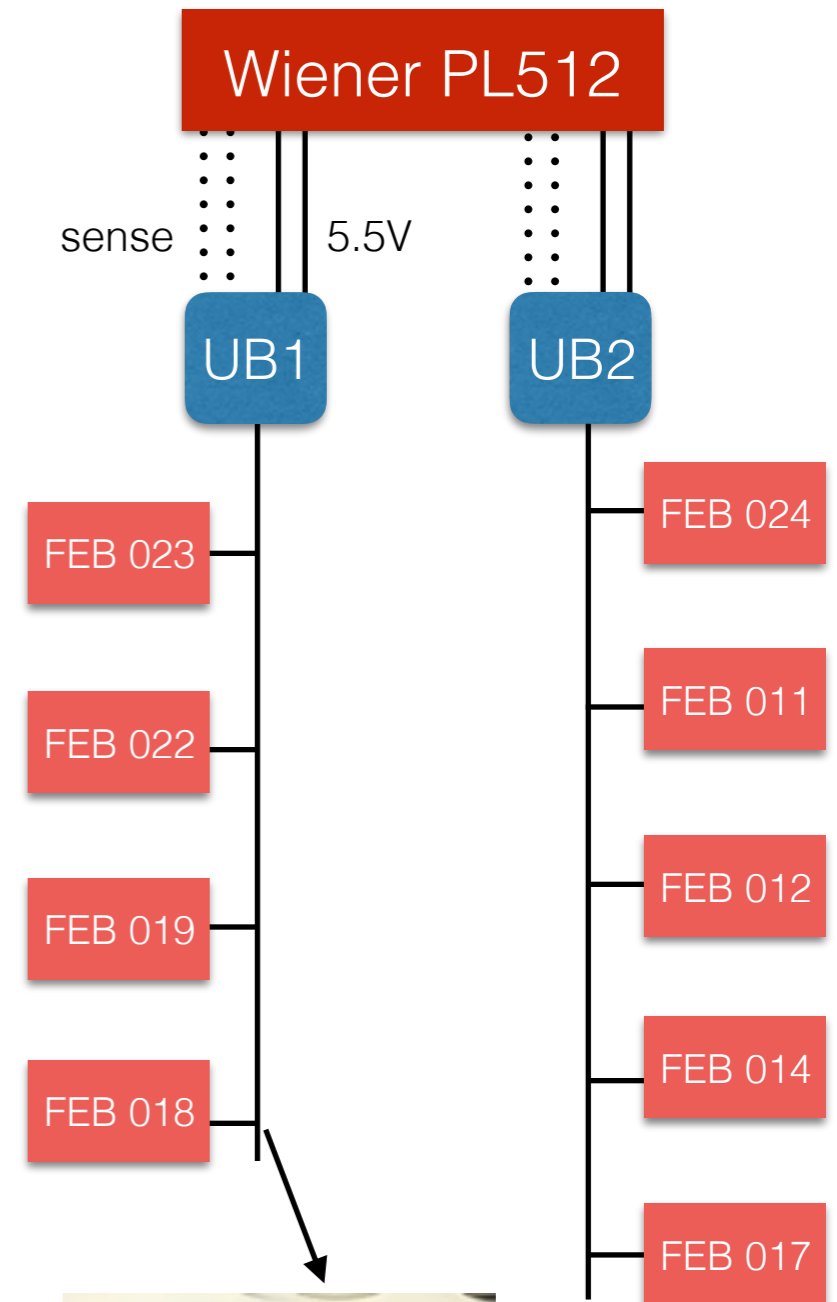
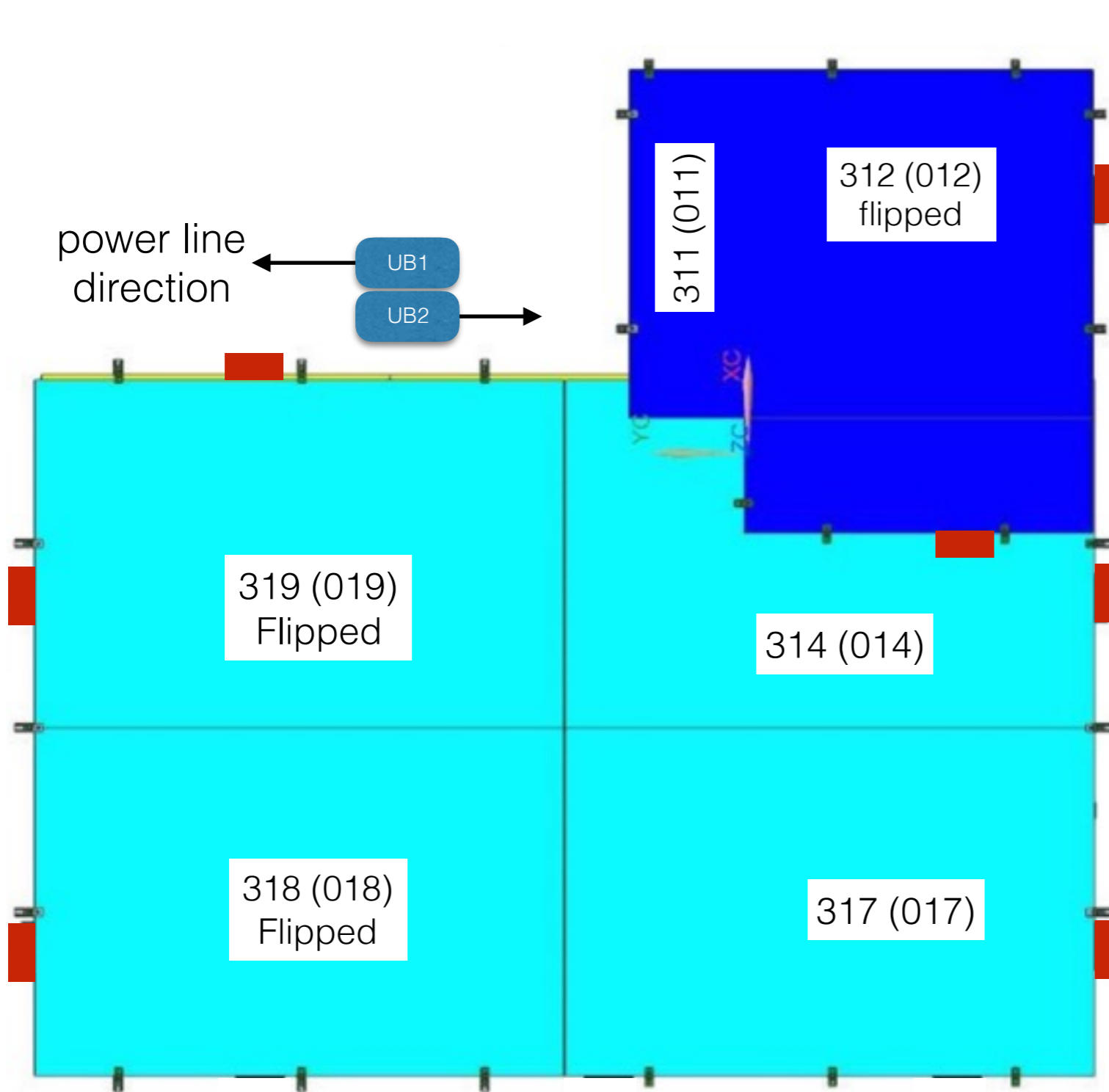
# Power Distribution Box



Line to FEBs/  
power supply  
on rack

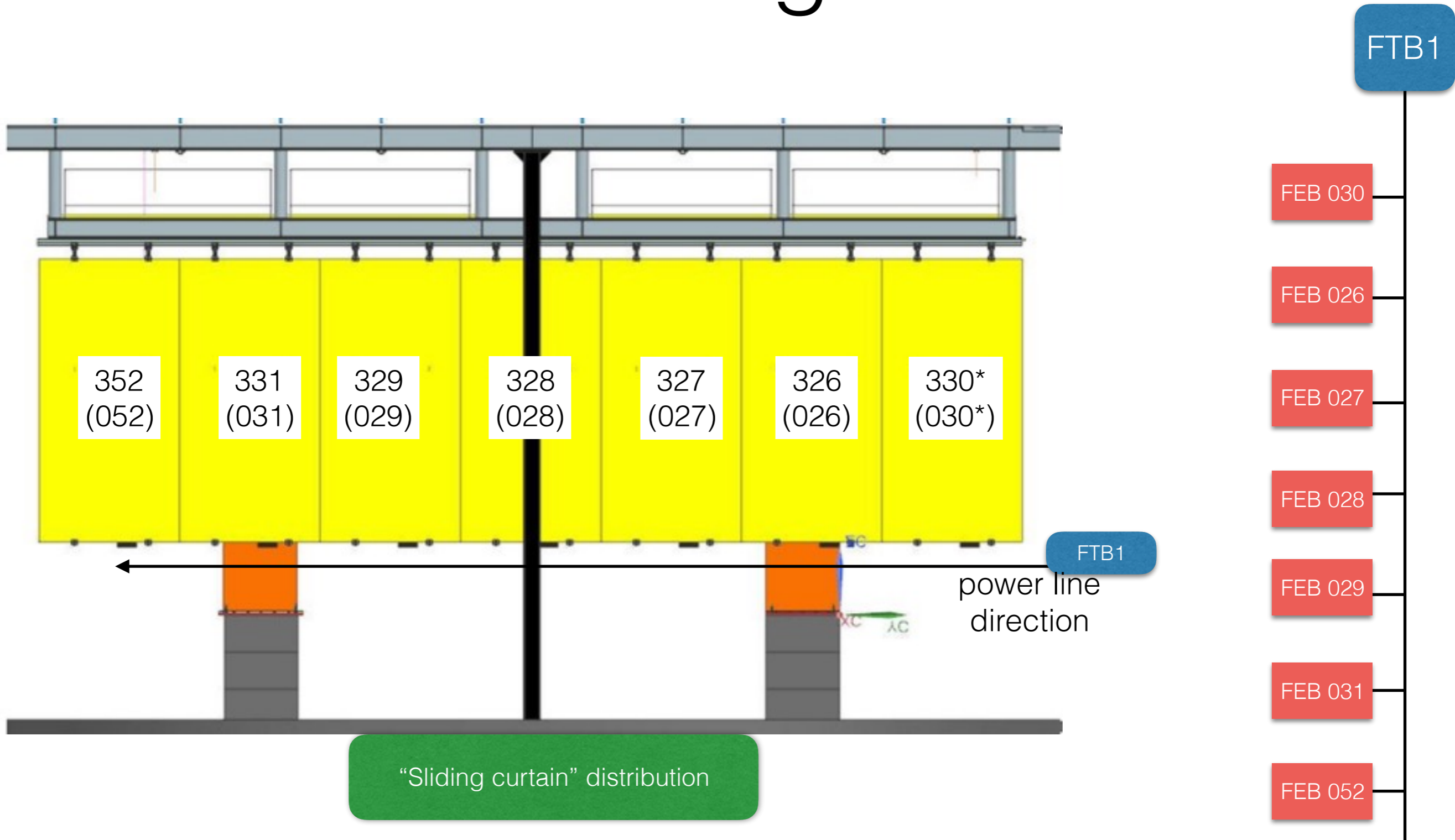
Power Line to  
FEBs/modules

# Underside



Wieland GST18/5/

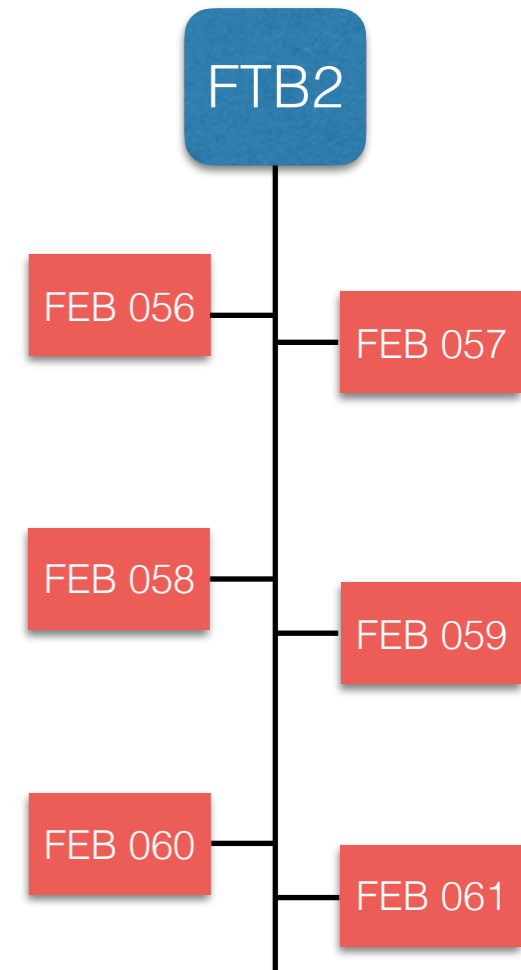
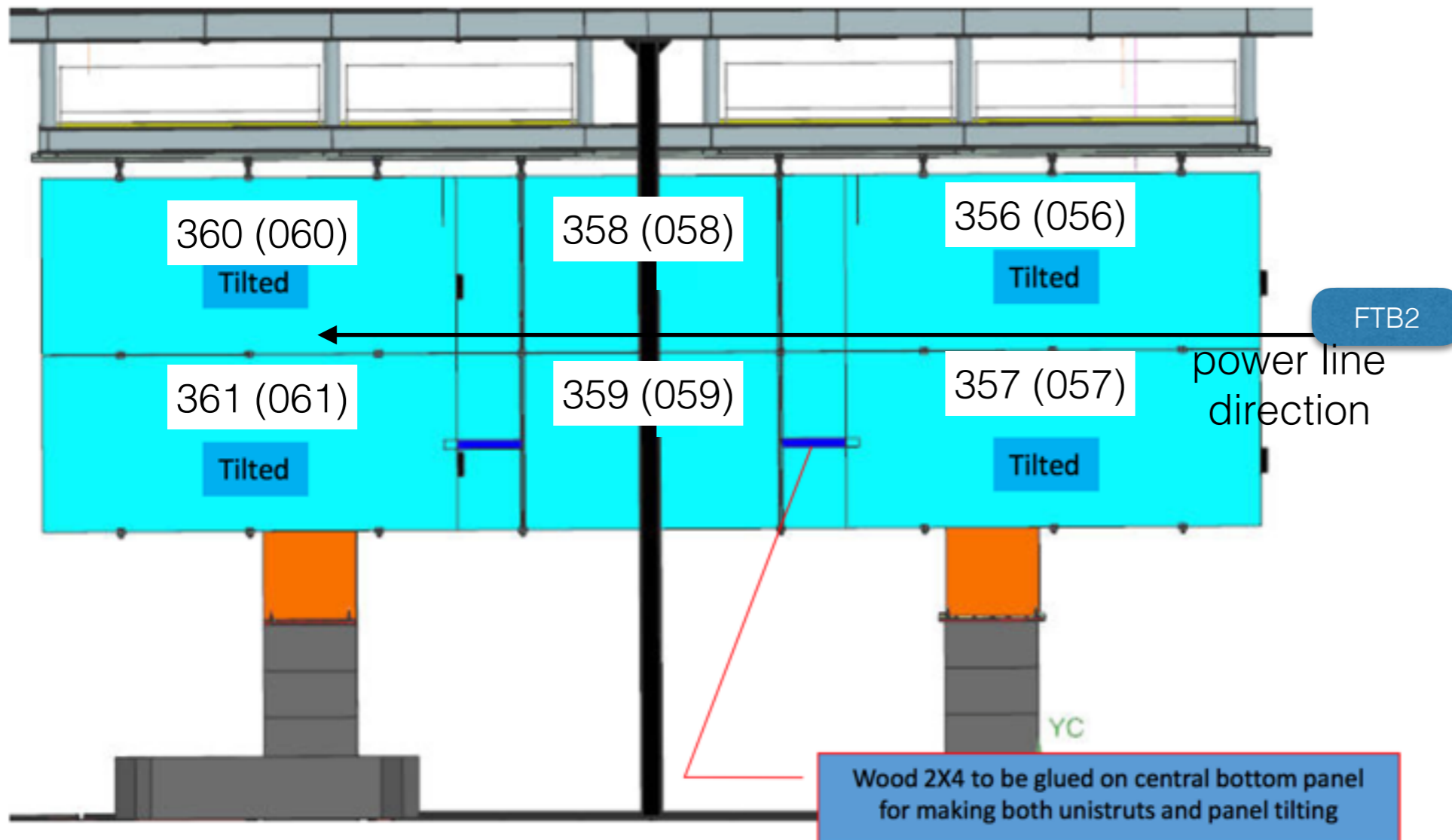
# Feedthrough Side



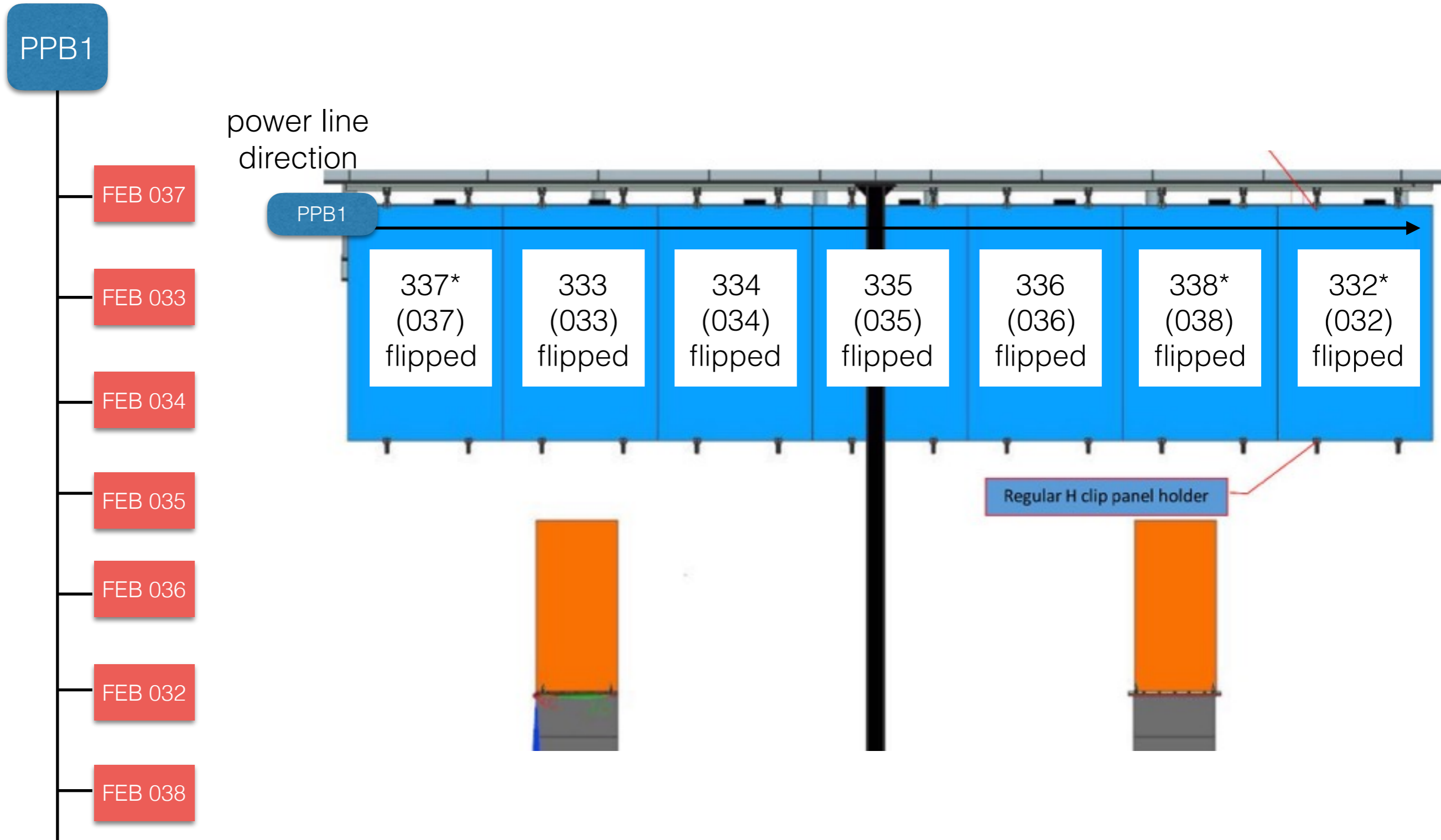
\* 1ch short



# Feedthrough Side

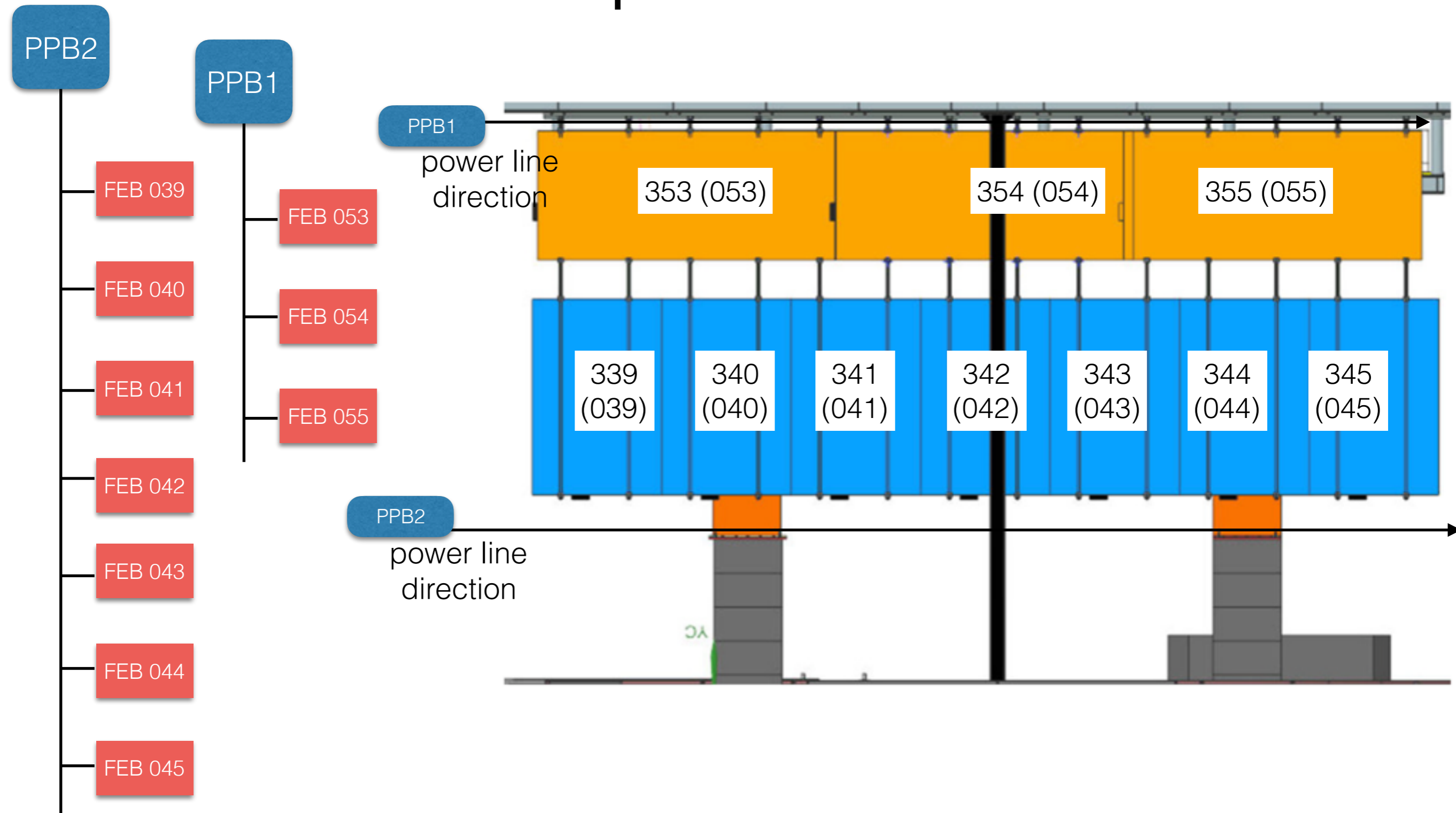


# Pipe Side



\* 1ch short

# Pipe Side





# Pipe Side

